

LDPX Series Moulded Case Circuit Breaker

Application

LDPX series MCCB is applicable circuit of AC 50/60Hz, rated current 25-250A, for distribute energy of electricity & infrequent making & breaking circuit in normal conditions. The products conforms to IEC60947-2.



LDPX-125

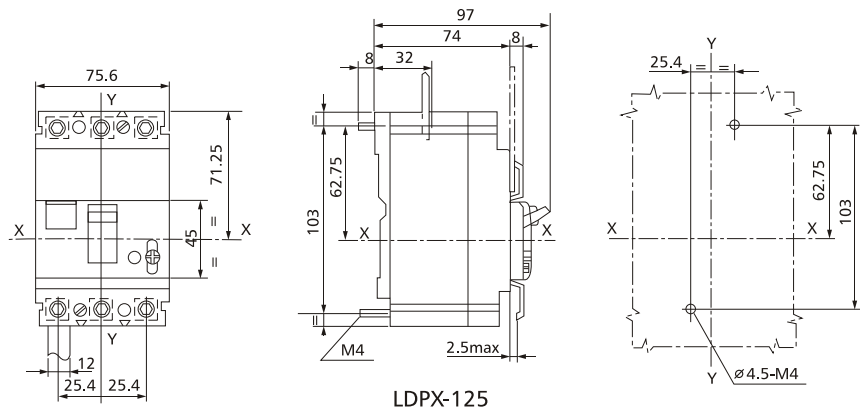
Specification

Type		LDPX-125	LDPX-250
Poles number		3	3
Rated current I_n (A)		25-125	125-250
Rated operating voltage U_e (V) (50/60Hz)		500	600
Rated working voltage U_e ---(V)		250	250
Rated insulation voltage U_i ~(V)		500	690
Rated impulse voltage U_{imp} (KV)		6	8
Utilisation category		A	A
Rated limited short-circuit breaking capacity I_{cu} (KA)	230/240V~	22	60
	400/415V~	16	36
	440V~	10	30
	480/500V~	8	25
	600V~	-	20
	690V~	-	16
Rated short-circuit breaking service capacity I_{cs} (% I_{cu})		100	100
Life(open,close for a time)	Mechanical	7000	7000
	Electrical	1000	1000

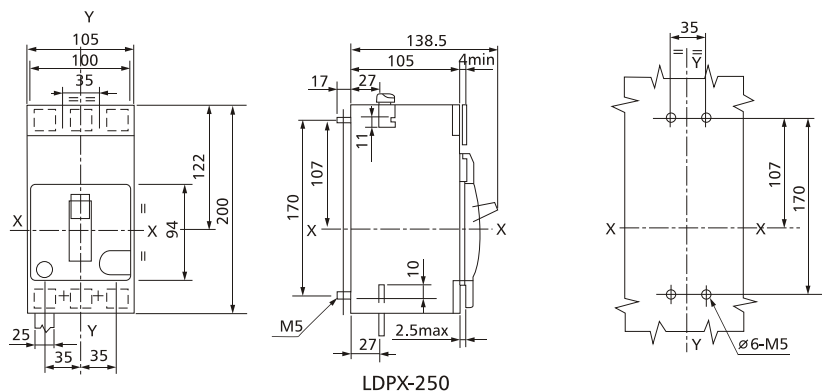
Outline and installation dimension



LDPX-250



LDPX-125



LDPX-250